

# MADRID TILT SS2205

Innovative face mount spigot featuring tilt adjustment – ensures easy alignment of glass



## Madrid tilt spigot

### FRICION FIT

Polish, satin, matt black or matt white finish

Order Code: **MAD-TILT-S-P (Polish)**  
**MAD-TILT-S-S (Satin)**  
**MAD-TILT-S-B (Black)**  
**MAD-TILT-S-MW (White)**

- Duplex stainless steel 2205
- Face mount spigot - fix to vertical surface of concrete, timber/steel beams or bearers
- 2 part spigot for easy install: (1) rear plate fixed to vertical surface (2) spigot attaches to rear plate with 2 x M8 counter sunk screws
- Tilt adjustable - innovative design allows for tilt adjustment by simply turning top and bottom M8 grub screws
- Glass alignment adjustability is a huge installation advantage
- Timber/beam fixing - 2 x fixing points in the rear plate for increased strength
- Concrete fixing - ideal for narrow slabs with 1 x sturdy M18 fixing
- Neat finish - slide in cover plate hides exposed screws on spigot front
- Earthing terminal included
- 3mm stackable horseshoe packers sold separately that can be inserted behind rear plate to overcome uneven vertical surfaces

## Optional extras

### M18 fixing kit

SS304

1x M18x120mm threaded rod, 1x flat washer, 1x spring washer & 1x nut

Order Code:

**MAD-TILT-M18KIT**

Commonly used for concrete installations - single fixing ideal for narrow slabs

### M12 fixing kit

SS304

2x M12x93mm lag screws, 2x flat washers, 2x spring washers & 2x nuts

Order Code:

**MAD-TILT-M12KIT**

Commonly used for timber/beam fixing (M12 threaded rod may also be used with rear lock nuts as an alternative to lag screw timber/beam fixing - M12 threaded rod and rear fixing nut not included in MAD-TILT-M12KIT)



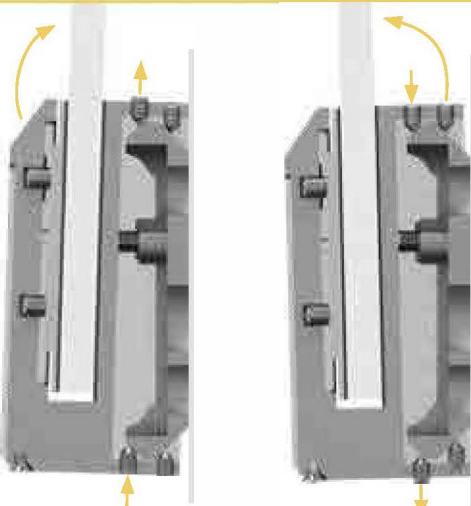
## Stackable packer

BLACK HDPE  
 3mm thick

Order Code:

**MAD-TILT-PKR**

Fits between wall/beam and rear plate to overcome uneven surfaces. Horseshoe shape design allows easy installation

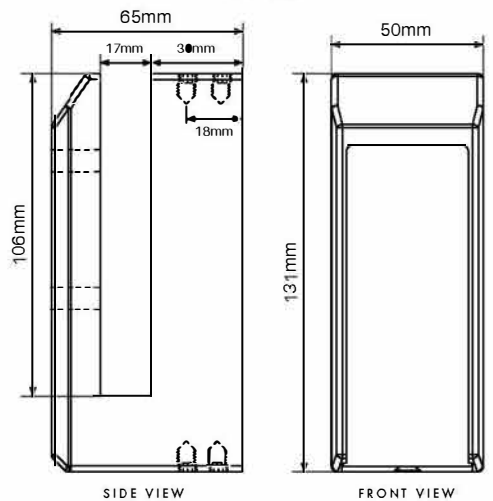


TILT GLASS BACK

TILT GLASS FORWARD



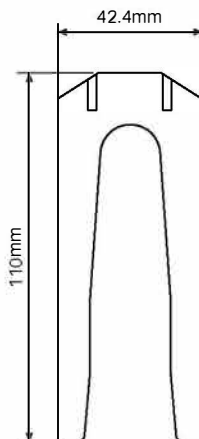
SPIGOT



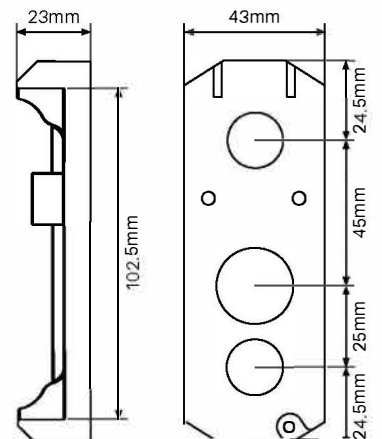
SIDE VIEW

FRONT VIEW

PACKER



REAR PLATE



SIDE VIEW

FRONT VIEW

## EASY TILT ADJUSTMENT

Innovative design – M8 pointed grub screw in top and bottom of spigot pushes onto 45 angle of rear plate allowing front spigot to tilt forward or back.

### TILT GLASS BACK

Unwind top M8 grub screw slightly and tighten bottom M8 grub screw to tilt glass back

### TILT GLASS FORWARD

Tighten top M8 grub screw and unwind bottom M8 grub screw slightly to tilt glass forward