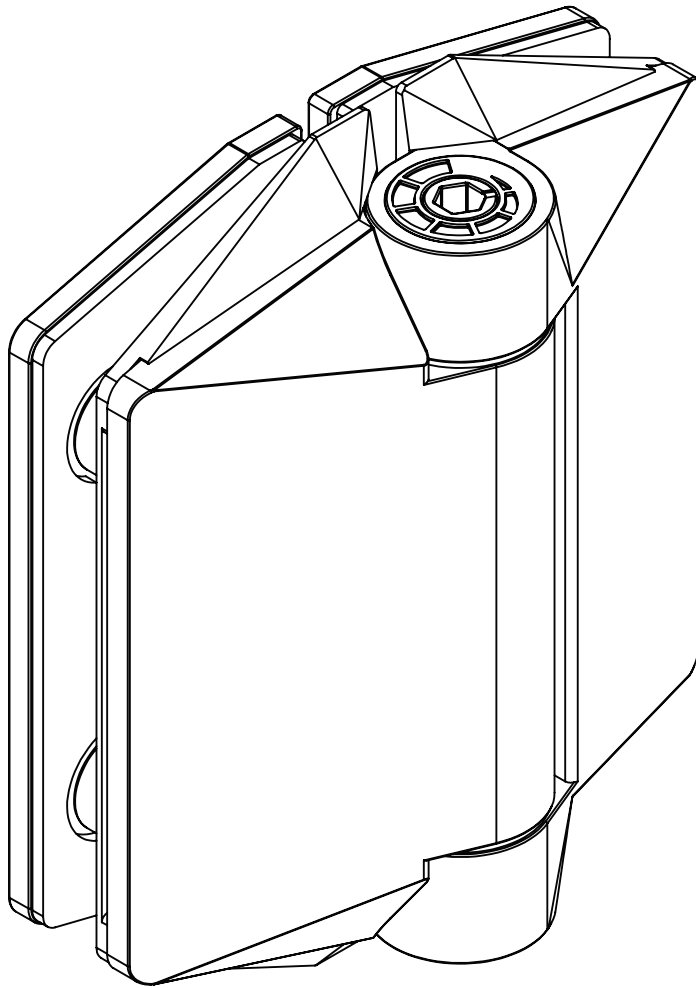


125 SERIES POOL HINGE

GLASS TO GLASS



FINISHES AND FUNCTIONS

- 2205 GRADE STAINLESS STEEL
- 3 SURFACE FINISHES
- SIMPLE *QUIK-ADJUST* RATCHET SYSTEM
- SINGLE ACTION
- SOFT CLOSE
- NON-HOLD OPEN
- ANTI-FOOT-HOLD GASKET AND SAFETY CAP INCLUDED



10mm
12mm



MAX.
900mm WIDE x
1500mm HIGH



MAX 45kg



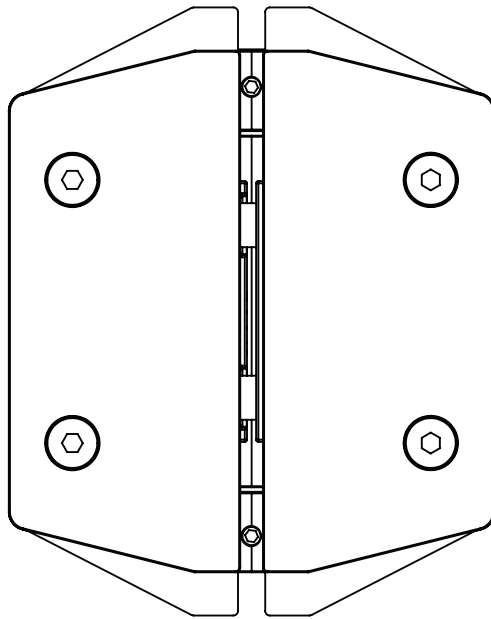
- 10°C
+ 50°C



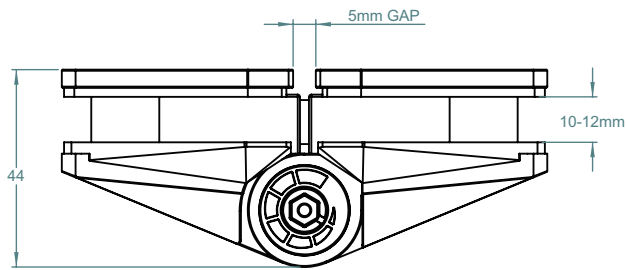
90°

125 SERIES POOL HINGE

- SELF-CLOSING SAFETY HINGE FOR GLASS POOL FENCING
- TO BE USED WITH CHILD PROOF SAFETY LATCH
- COMPLIES WITH AUSTRALIAN STANDARDS FOR POOL GATE HARDWARE
- NATA ACCREDITED AND INDEPENDENTLY TESTED TO 25 000 CYCLES (NATA = NATIONAL ASSOCIATION OF TESTING AUTHORITIES AUSTRALIA)



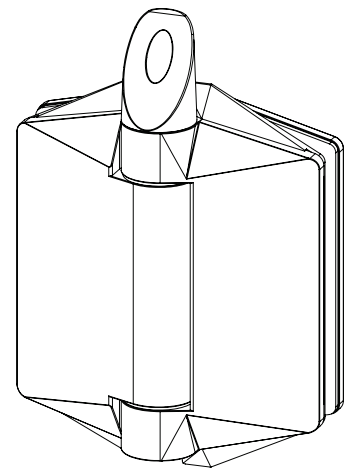
REAR VIEW



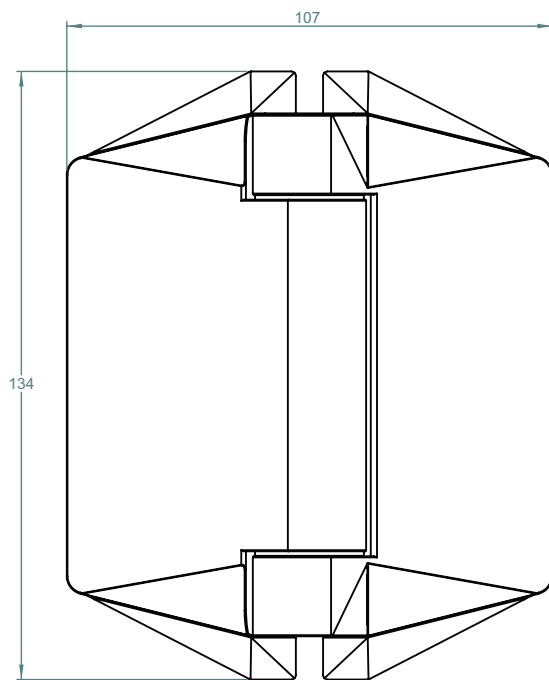
TOP VIEW

TO ORDER SPECIFY:

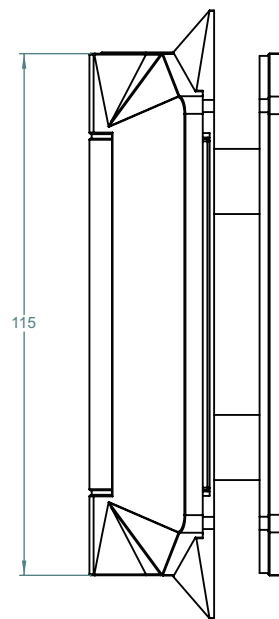
- 125GP POLISHED FINISH
- 125GS SATIN FINISH
- 125GB BLACK FINISH



INSTALLED SAFETY CAP



FRONT VIEW



SIDE VIEW

125 HINGE MODEL GLASS TO GLASS

