



## Glass to glass hinge set

SS316 – PAIR OF 2

**Polish, satin, matt black or matt white finish**

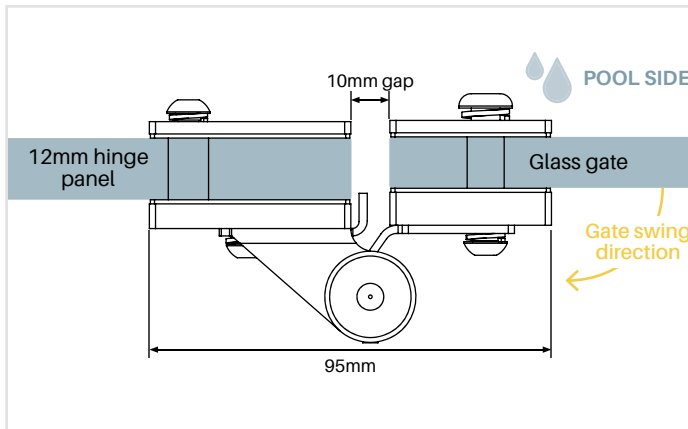
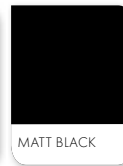
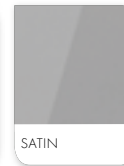
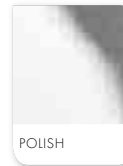
Order Code: MR-GGH-P (Polish)

MR-GGH-S (Satin)

MR-GGH-BLK (Black)

MR-GGH-MW (Matt White)

- Stainless steel 316 backing plates for premium finish
- Suits glass to glass application
- Cone cap incorporated to prevent toe hold
- Suits 8mm and 10mm glass gates
- Weight capacity of 25kg per pair



## Gate hinge & hinge panel hole dimensions

Glass holes at top & bottom of panels

